



Signature
Series

KEY FEATURES:

- » Motorized recline
- » Hydraulic low lift 9" (22.9cm) stroke with maximum seat height of 29" (73.7cm) or hydraulic high lift 12.5" (31.8cm) stroke with maximum seat height of 35" (88.9cm)
- » User programmable memory two position control
- » Illuminated membrane switch control on both chair sides
- » Solid cast aluminum frame, armrest, footrest, and base
- » One hand articulating headrest
- » Securely locking hand brake with handle on both chair sides
- » Footrest

PERFORMANCE
YOU CAN COUNT ON

Metro
Ophthalmic

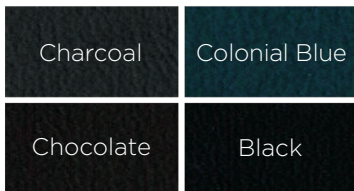
TOPCON

Technical Specifications

Elevation Stroke	Low: 9" (22.9cm) / High: 12.5" (31.8cm)
Voltage & Frequency	115V; 5A; 60Hz 220V; 3A; 50/60Hz
Rotation Angle	355°
Chair Capacity	500lb (226.8kg)
Shipping Weight	286lb (129.7kg)
ETL Listed	Complies with UL and CSA UL-60601-1 CAN/CSA - C22-2 No. 60-1-M90

Upholstery Selections

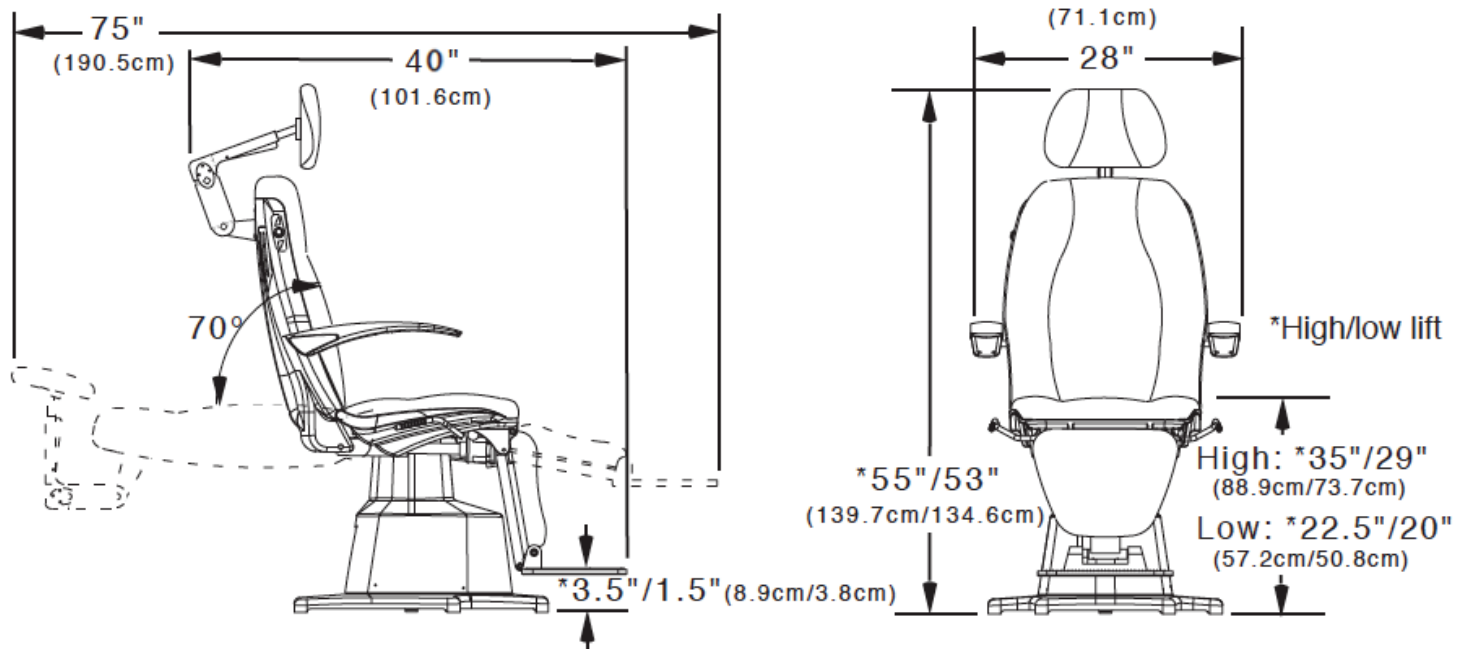
Standard Colors



Designer Series Colors



Signature
Series



732-727-0607
www.metroophthalmic.com

Metro
Ophthalmic

Topcon Medical Systems, Inc.
111 Bauer Drive, Oakland, NJ 07436, U.S.A.
t 800.223.1130 f 201.599.5248 • www.topconmedical.com
©2014 Topcon Medical Systems, Inc. MCA# 713