

PERFORMANCE
YOU CAN COUNT ON



Metro
Ophthalmic



AIT-250/350/650

Adjustable Instrument Tables



AIT-250

Accommodates two instruments



AIT-350

Accommodates three instruments



AIT-650

For Ophthalmic Imaging Equipment

KEY FEATURES

- » Wheelchair accessible:
Complies with ADA regulations
- » Adjustable table height with
synchronized table legs
- » New Switch Panel with LED display
and 3-memory storage
- » Wide range of elevation travel up to
41" (1041mm)
- » Electrical power strip supplied with
each unit
- » Anti-Collision™ safety system that enhances
patient's comfort and safety¹
- » Heavy duty powered legs and durable
table top construction

1. The anti-collision system will stop the tables movement if it comes in contact with a solid object.

DIMENSIONS AND SPECIFICATIONS

AIT-250

AIT-350

AIT-650

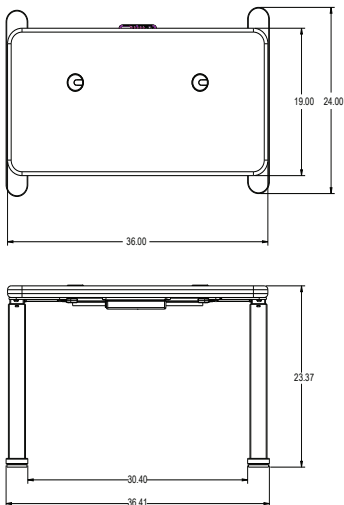
ELECTRICAL

110 Volt System	120 VAC (+ 10%),6.0A, 60Hz	120 VAC (+ 10%), 6.0A, 60Hz	120 VAC (+ 10%), 6.0A, 60Hz
220 Volt System	230 VAC (+ 10%), 2.5A, 50Hz	230 VAC (+ 10%), 2.5A, 50Hz	230 VAC (+ 10%), 2.5A, 50Hz

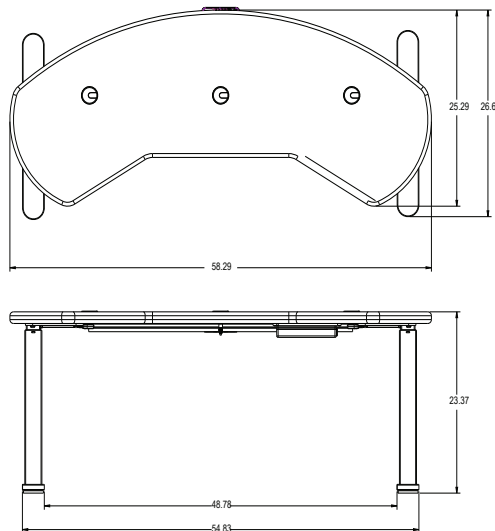
PROTECTION

120 VAC	Class 1 (Against Electric Shock)	Class 1 (Against Electric Shock)	Class 1 (Against Electric Shock)
230 VAC	Class 2 (Against Electric Shock)	Class 2 (Against Electric Shock)	Class 2 (Against Electric Shock)
Table Load Capacity	300lbs (136kg)	300lbs (136kg)	300lbs (136kg)
Shipping Weight	103lbs (46.7kg)	113lbs (51.3kg)	115 lbs. (52.2 kg)
Nominal Speed (@ 0 load)	1.37–2.24in/s (35 – 57mm/s)	1.37–2.24in/s (35–57mm/s)	1.37–2.24in/s (35–57mm/s)
Table Dimensions	36"x 24" x 29" (914mm x 610mm x 737mm)	59" x 27" x 29" (1499mm x 686mm x 737mm)	58" x 30" x 29" (1473mm x 762mm x 737mm)
Table Height (retracted)	23" (584mm)	23" (584mm)	23" (584mm)
Table Height (full stroke)	49" (1245mm)	49" (1245mm)	49" (1245mm)
Wheelchair Accessible	YES	YES	YES

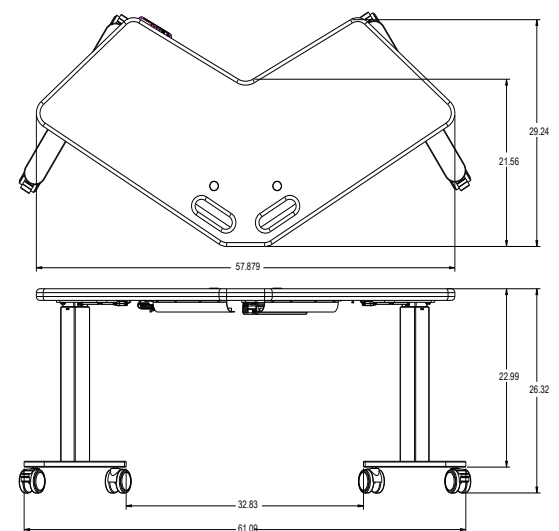
AIT-250



AIT-350



AIT-650



Topcon Medical Systems, Inc.

111 Bauer Drive, Oakland, NJ 07436

Phone: 800-223-1130

Customer Service: 866-922-6278

Fax: 201-599-5250 (Sales) • 201-599-5247 (Service)

topconmedical.com

©2015 Topcon Medical Systems, Inc.

732-727-0607

www.metroophthalmic.com

Metro
Ophthalmic



PERFORMANCE
YOU CAN COUNT ON

